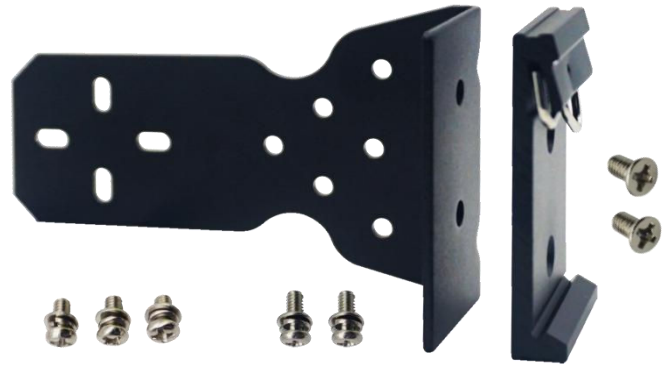


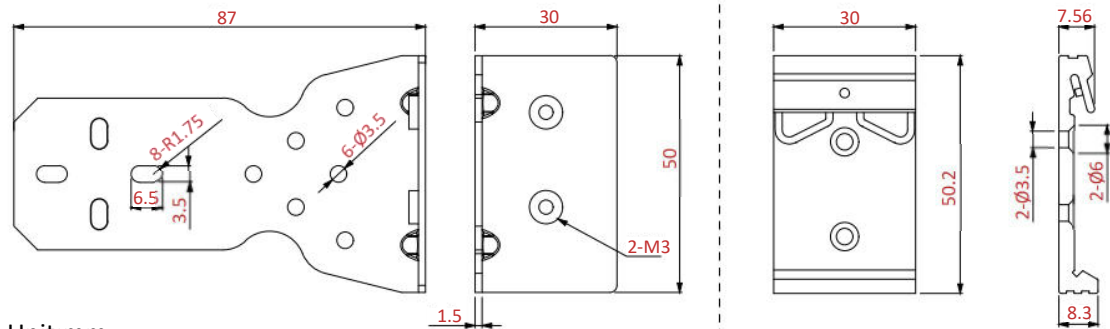
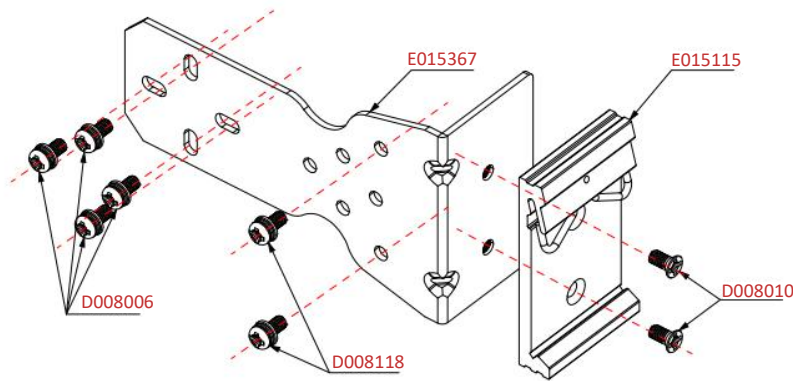
L TYPE DIN RAIL MOUNTING KIT

PN: S052004



Technical Data

| | |
|------------------|---|
| Mounting Type | L Type Din Rail, 35mm |
| Material | Galvanized Steel, Aluminium, Stainless Steel |
| Weight | 73.02 g |
| Screw Included | M3 x 6 Countersunk Screw, 2 pcs Round head + Spring washer Bolt, 2.5 x 6 mm, 2 pcs Round head + Spring washer Bolt, 3 x 6 mm, 3 pcs |
| Dimensions | 50.0*95.3*30 mm |
| RoHS Compliant | √ |
| Related Products | R5020 |



Unit:mm