

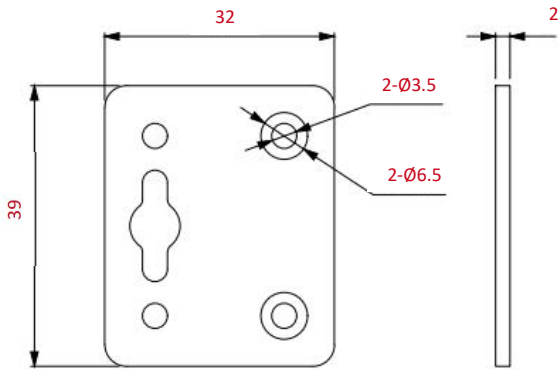
# WALL MOUNTING KIT With 2 PLATES

PN: S051013



## Technical Data

Mounting Type	Flat surface mount
Material	Galvanized Steel, Stainless Steel
Weight	9.98 g
Screw Included	M3 x 6 Countersunk Screw, 4 pcs
Dimensions	32.0*39.0*2 mm
RoHS Compliant	√
Related Products	R2010, R2011, EG5100, EG5120



Unit:mm

