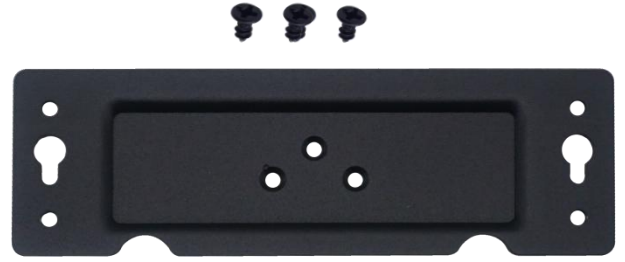


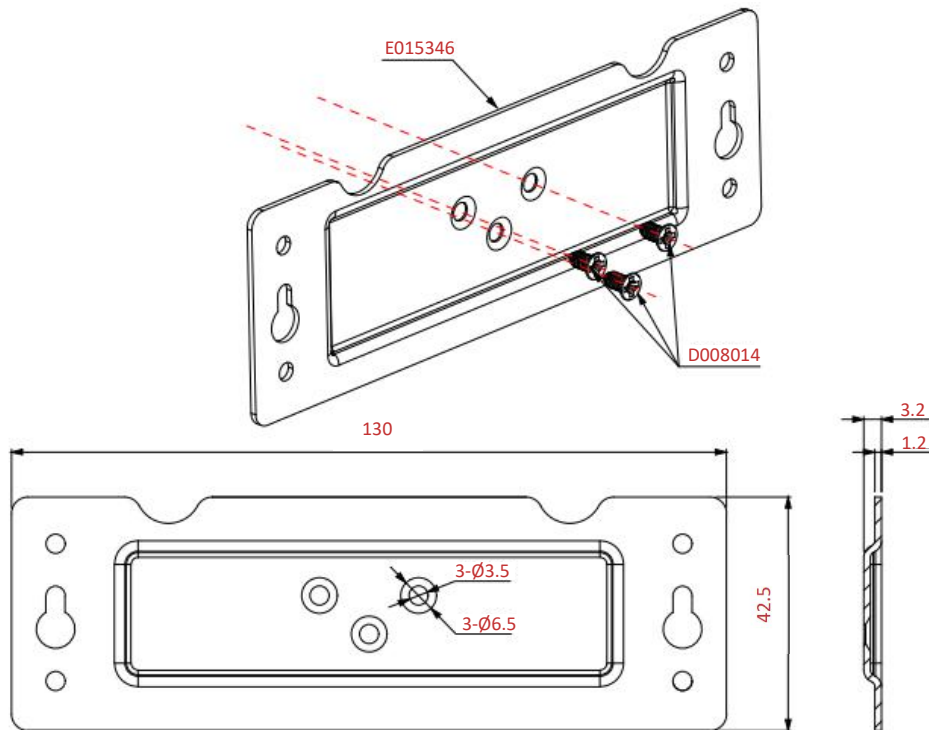
WALL MOUNTING KIT

PN: S051011



Technical Data

Mounting Type	Flat surface mount
Material	Galvanized Steel, Stainless Steel
Weight	51.29 g
Screw Included	Self-tapping, sheet metal screw, flat head, 2.9 x 6 mm, 3 pcs
Dimensions	42.5*130*3.2 mm
RoHS Compliant	√
Related Products	R1520



Unit:mm