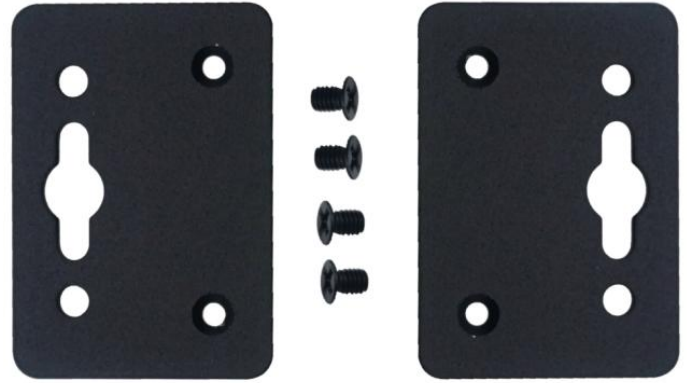


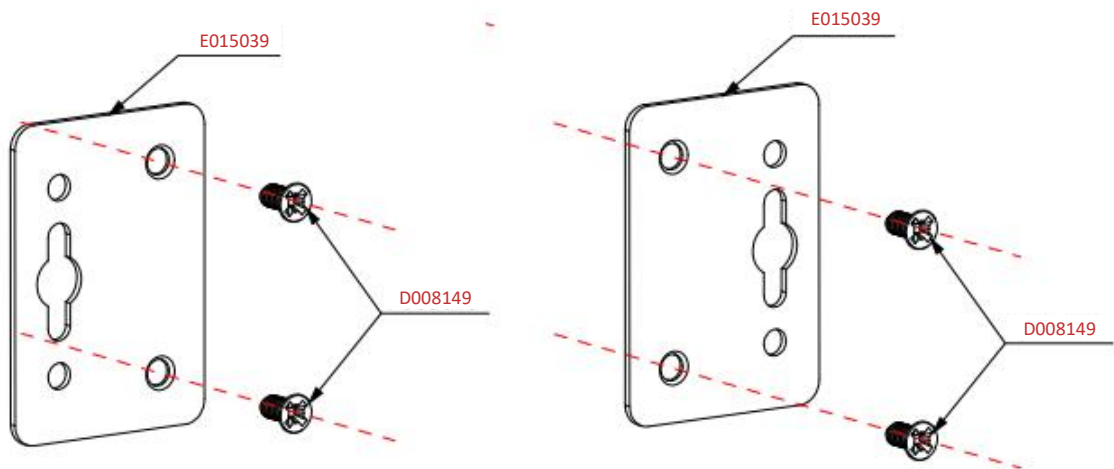
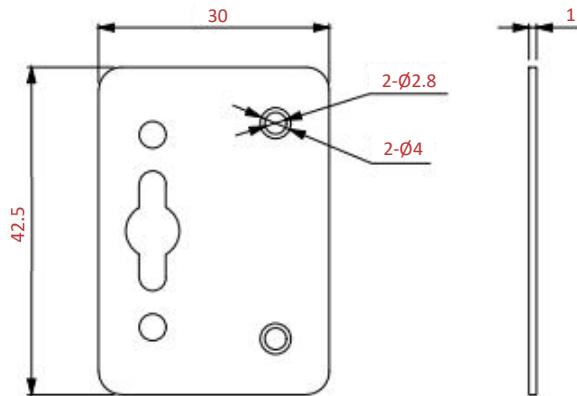
WALL MOUNTING KIT With 2 PLATES

PN: S051007



Technical Data

Mounting Type	Flat surface mount
Material	Galvanized Steel, Stainless Steel
Weight	9.98 g
Screw Included	M2.5 x 5 countersunk screw, 4 pcs
Dimensions	30.0*42.5*1 mm
RoHS Compliant	√
Related Products	R2000, R2000 Lite, R2000 Ent, R2000 Dual, R2110, R5020



Unit:mm