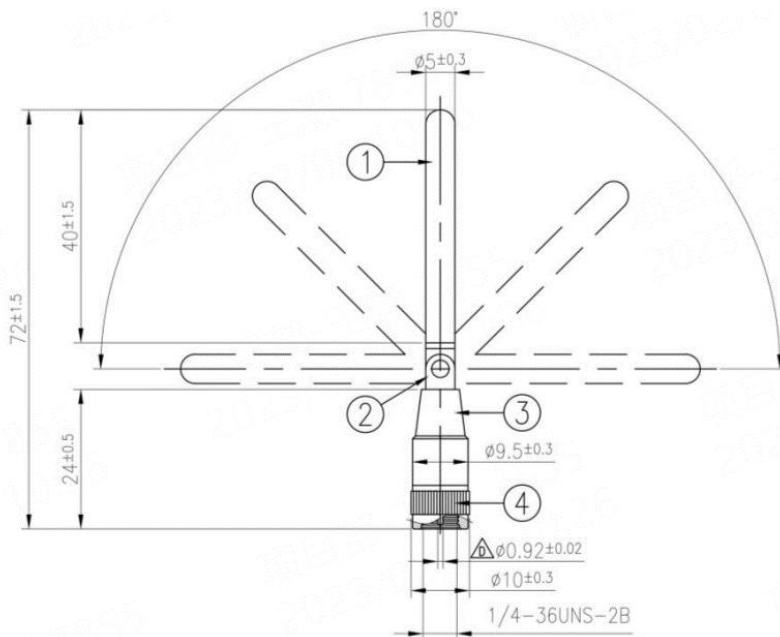


# 4G RUBBER ANTENNA

PN: E003046



Parameter	Rated Value
Frequency Range	700MHz ~ 960MHz / 1710MHz ~ 2690MHz / 3400MHz ~ 3800MHz
Antenna Gain	≤ 2 dBi
Polarization	Linear
Radiation Pattern	Omni-directional
Impedance	50Ohm
Input Power	10W
Connector	SMA Male
Weight	8g
Dimension	Φ10×72±1.5 mm
Operating Temperature	-40 °C ~ 85 °C
RoHS Compliant	√
Related Products	Compatible with 3/4G Modem/Router/Gateway



	Name	Material	Finish
1	Housing	POM	Black
2	Hinge	Brass	Ni Plated
3	Cap	POM	Black
4	SMA(M)ST	Brass	Ni Plated