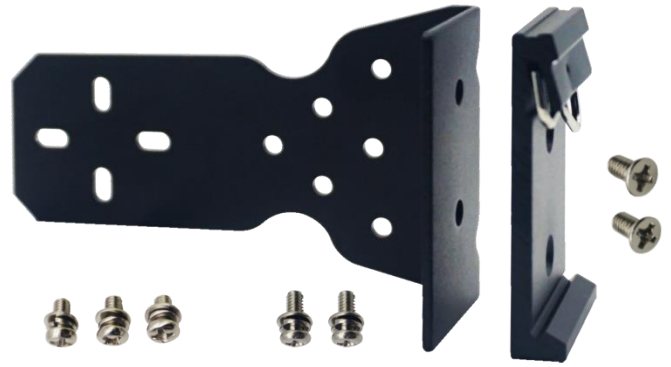


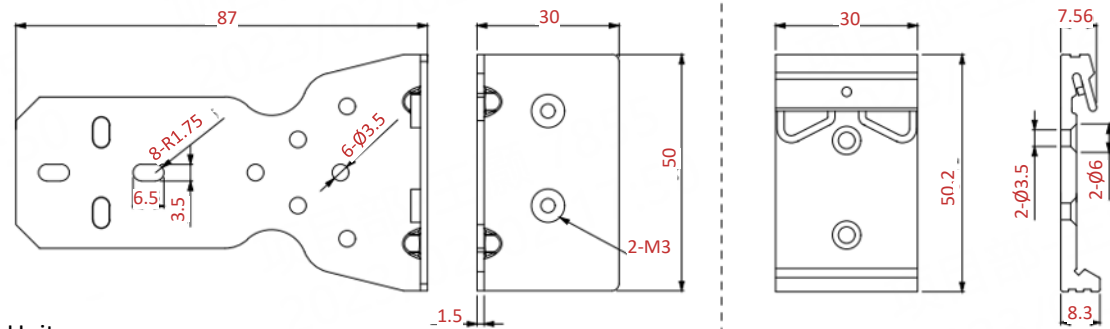
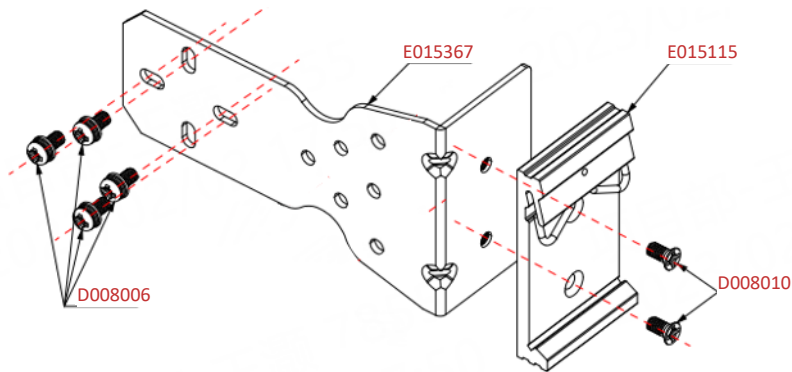
L TYPE DIN RAIL MOUNTING KIT

PN: S052005



Technical Data

Mounting Type	L Type Din Rail, 35mm
Material	Galvanized Steel, Aluminium, Stainless Steel
Weight	73.02 g
Screw Included	M3 x 6 Countersunk Screw, 3 pcs Round head + Spring washer Bolt, 3 x 6 mm, 3 pcs
Dimensions	50.0*95.3*30 mm
RoHS Compliant	√
Related Products	R2010, R2011



Unit:mm