

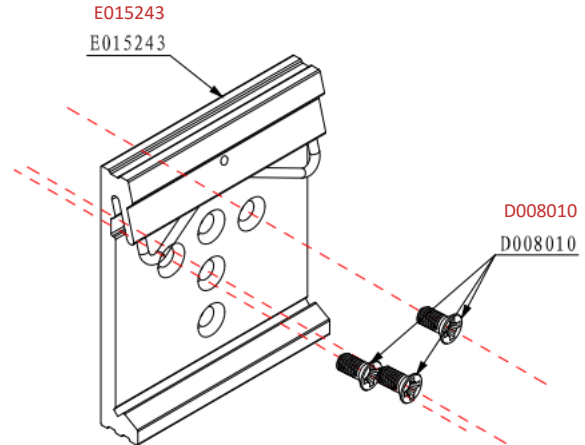
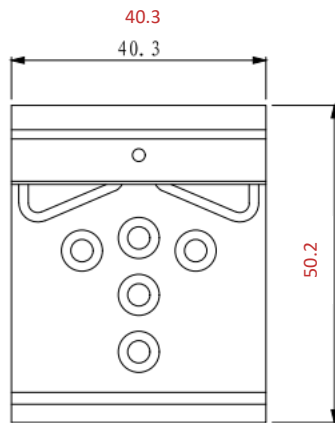
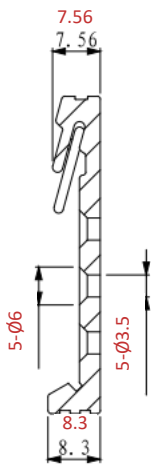
DIN RAIL MOUNTING KIT

PN: S050008/S040008



Technical Data

Mounting Type	Din Rail
Material	Aluminium, Stainless Steel
Weight	22.44 g
Screw Included	M3 x 6 Countersunk Screw, 3 pcs
Dimensions	40.3*50.2*8.3 mm
RoHS Compliant	√
Related Products	R2000 Dual, R3000, R3000 Quad, R3000 LG, R3000 Lite, R3010



Unit: mm