



TPH6700

IP67 PC/ABS Housing
For R2000/R2000D/R3000/R3000Q/R3000LG/R1520



INTRODUCTION

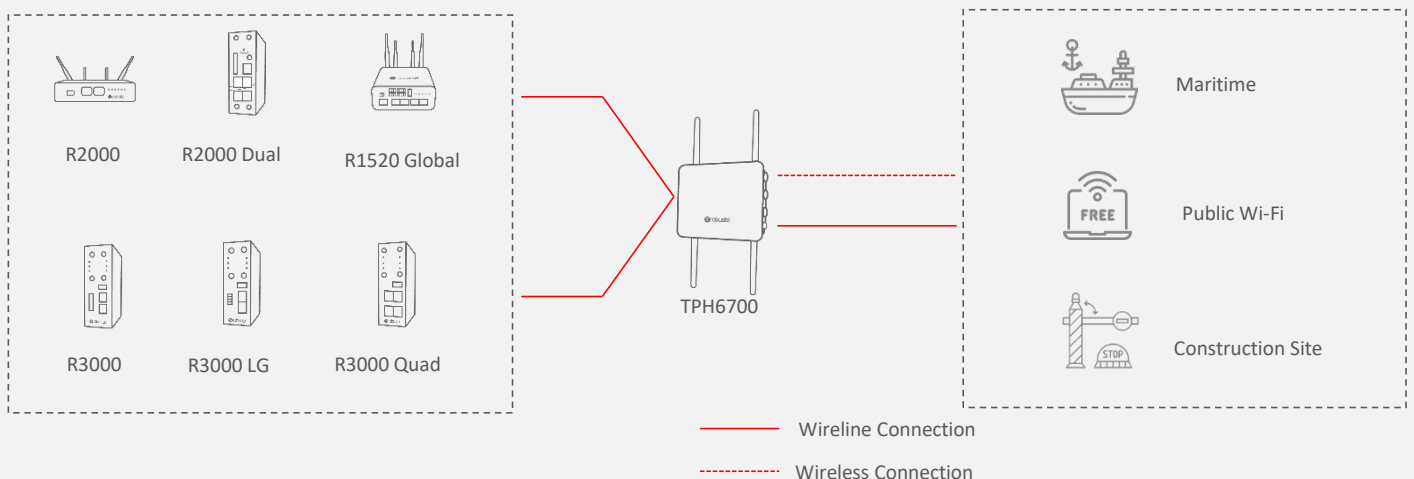
Designed to protect devices and connectors from extreme outdoor environments and harsh industrial conditions, the Robustel Typhoon6700 IP67 PC/ABS Housing (TPH6700) provides a weatherproof enclosure based on the available features of R2000/R2000D/R3000/R3000Q/R3000LG/R1520. It's highly protective, rugged and has IP67 rating. The TPH6700 can be mounted either on a wall or a pole and positioned in diverse temperatures and environments.

Robustel is a famous global industrial IoT/M2M hardware and solution provider. Since its establishment in 2010 in Guangzhou, China, Robustel has been focusing on designing and manufacturing industrial cellular routers, gateways, modems, cloud platforms and E2E solutions. In order to support global business in more than 100+ countries and regions, Robustel has set up local offices in Germany, Australia, the UK, and Hong Kong.

KEY FEATURES

- IP67 ingress protection withstanding water, dust and other extreme weather conditions
- Standards for the housing:
 - Performance requirement for high and low temperature
 - Aging-resistance level (UL746C)
 - Flame-retardant level (grade 2 of UL746C)
 - Standard requirement for environment protection
- Applicable to the majority of Robustel's products
- Various interfaces meeting the different scenarios
- Easy wall or pole mounting options

APPLICATION EXAMPLE



SPECIFICATIONS

Cellular Interface

Number of antennas	4 or 2 connectors (optional) (MAIN + AUX + ANT1 + ANT2)
Connector	M16, N-port female

Wi-Fi Interface

Number of antennas	2 (MAIN + AUX)
Connector	M16, N-port female

Ethernet Interface

Number of ports	5, 2 or 1 ports (optional)
Connector	M12

Serial Interface

Number of ports	1 x RS232, 1 x RS485 or 1 x RS232 + 1 x RS485
Connector	M12, 8-pin

Power Interface

Number of ports	1 x Power + 1 x Power (optional)
Connector	M12, 3-pin or 5-pin (optional)
Input voltage	9 - 60V DC (R2000: 9 - 36V DC) Optional: 48 - 57V, PoE input

Physical Characteristics

Enclosure cover	Fully detachable
Material & Weight	PC/ABS, 1010 g
Dimensions	310 x 245 x 93.4 mm
Installations	Wall mounting & pole mounting

Regulatory and Type Approvals

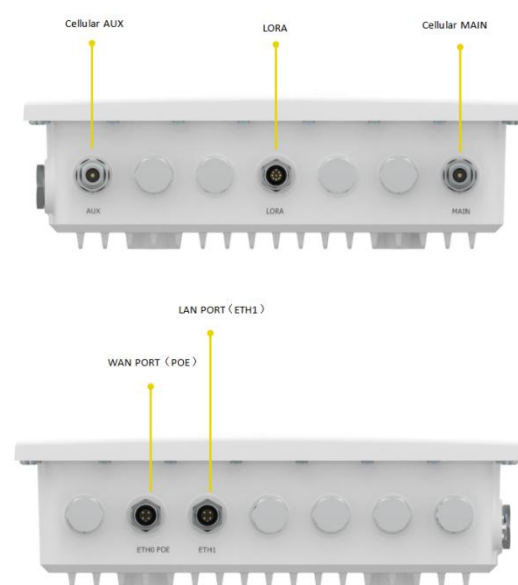
Regulatory	CE, RCM
Application	IP67 test
Environmental	RoHS, WEEE

PACKAGE CONTENTS

- 1 x Robustel TPH6700 IP67 PC/ABS Housing

OPTIONAL ACCESSORIES (sold separately)

- DC power supply
- 3G/4G antenna
- Wi-Fi antenna
- Ethernet cable (8-pin)
- Power supply cable (3/5-pin)
- Serial port cable (8-pin)
- Wall mounting kit
- Pole mounting kit



*The figure shows R3000LG-OG. For more interface information about different model, please contact your Robustel sales representative.

ORDERING INFORMATION

PN	Model	Number of Cellular Antennas	Number of Wi-Fi Antennas	Number of Ethernet Ports	POE	Number of Serial Ports	Number of Lora Antennas	GPS (Internal)	Operating Environment
B021003	TPH6700-R2000	2	2	2	1 x PD	-	-	-	Temp: -25 ~ +70°C RH: 5 ~ 95%
B021012	TPH6700-R2000D	2	1	4	-	-	-	-	Temp: -25 ~ +70°C RH: 5 ~ 95%
B021007	TPH6700-R2000D	2	1	5	4 x PSE	-	-	-	Temp: -25 ~ +70°C RH: 5 ~ 95%
B021001	TPH6700-R3000	2	1	2	-	1	-	-	Temp: -40 ~ +70°C RH: 5 ~ 95%
B021011	R3000LG-OG	2	-	2	1 x PD	-	1	1	Temp: -40 ~ +70°C RH: 5 ~ 95%
B021014	TPH6700-R3000Q	2	1	4	-	1	-	-	Temp: -40 ~ +85°C RH: 5 ~ 95%
B021017	TPH_R3000LG	2	-	2	-	1	1	1	Temp: -40 ~ +70°C RH: 5 ~ 95%
B021018	TPH_R1520	2	2	1	1 x PD	-	-	-	Temp: -25 ~ +70°C RH: 5 ~ 95%

*For more ordering information about TPH6700, please contact your Robustel sales representative.